

# MIG/MAG Welding Torch MB 36 KD air-cooled



BINZEL. The right welding torch for every job!

BINZEL air cooled welding torches incorporate the high quality and technology needed for trouble-free performance whatever the welding job. All BINZEL torches are constructed to the highest standards and offer the greatest working comfort.

BINZEL torch features:

- Optimum cooling of the torch, extending torch life
- An ergonomic handle, ensuring comfort in every position
- Light and flexible cable assemblies, designed to reduce fatigue

#### Technische Daten nach EN 50 078:

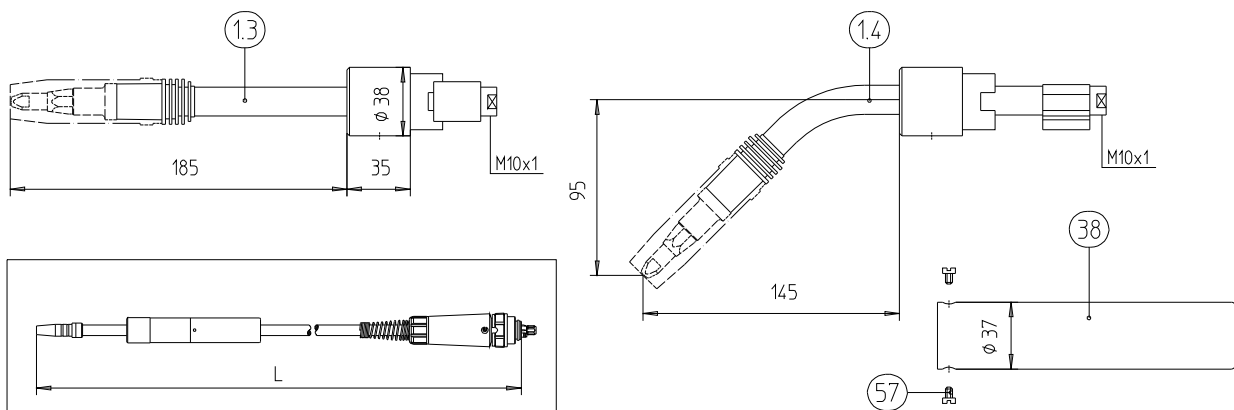
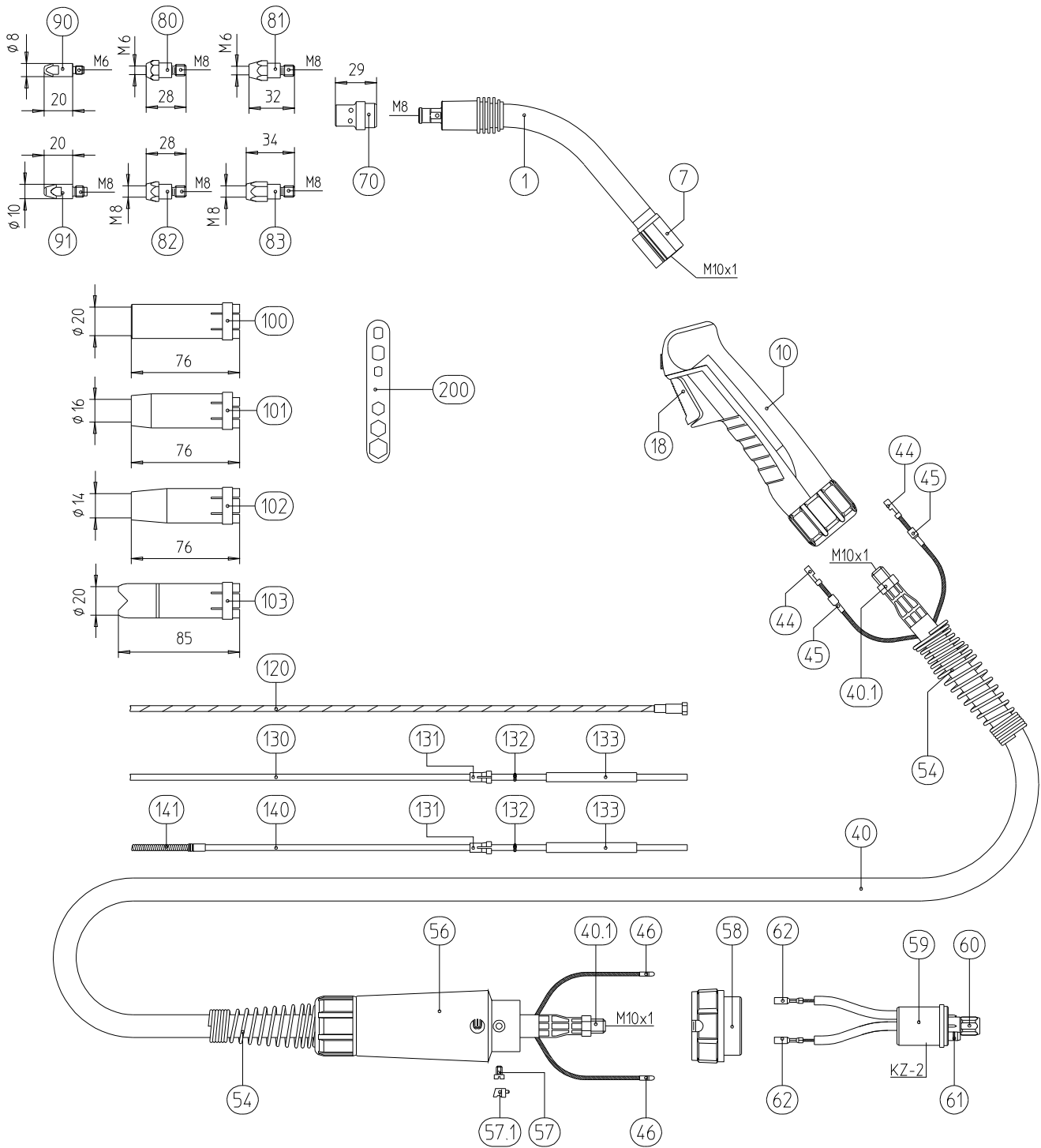
Belastung: 300 A CO<sub>2</sub>  
270 A Mischgas M 21  
nach DIN EN 439  
60% ED  
Draht-ø: 0,8 - 1,2

- Robust construction for durability and extended torch life
  - A connecting system that allows easy torch changes
- Rated using power source with VDE standard volt/amp characteristic ( $U=14+0,05xI$ ).  
When pulse welding, reduce rating by 35%.

Type	Handle/Version	3.00 m long	4.00 m long	5.00 m long
		Part no.	Part no.	Part no.
<b>MB 36 KD</b>	Ergonomic	014.0143	014.0144	014.0145
<b>AUT 36 KD</b>	Handle tube, straight	914.0013	Special lengths	
	Handle tube, bent	914.0014	upon request!	

Welding & cutting brought to the point.





Build group	Pos.	Description	Specifications	Part no.
<b>Torch</b>	1.1	Swan neck MB 36 KD, 50° bent		014.0006
	1.3	Swan neck AUT 36 KD, straight		914.0002
	1.4	Swan neck AUT 36 KD, 45° bent		914.0001
	7	Torch body, plastic		400.0044
<b>Handle</b>	10	Ergonomic handle, cpl., with trigger		180.0076
		Handle, top		400.0333
		Handle, bottom		400.0335
		Lock ring NW 31		400.0297
		Screw 18x8	20 pcs.	400.0340
		Screw 3.5x9.5	20 pcs.	079.0034
	18	Trigger 2 pol.		185.0031
	38	Handle tube AUT		180.0001
<b>Cable assembly</b>	40	Bikox power cable 3.00 m	B7	160.0364
		Bikox power cable 4.00 m	B7	160.0379
		Bikox power cable 5.00 m	B7	160.0391
	w/o.fig	Outer cover for Bikox	per meter	by request
	40.1	Hexagon nut M10x1	10 pcs.	001.0009
	44	Trigger wire connector	20 pcs.	175.0022
	45	Insulating sleeve	20 pcs.	400.0119
	46	Trigger wire connector, male	20 pcs.	175.0004
	54	Cable support spring		500.0343
	56	Cable support machine side		501.2248
	57	Screw M4x6	20 pcs.	000.0552
	58	Adaptor nut		500.0213
	59	Central adaptor block KZ-2 with control leads		501.0003
		Central adaptor block KZ-2 without control leads		501.0028
	60	Nut M10x1	10 pcs.	501.0082
	61	O-ring 4x1	20 pcs.	165.0002
62	Trigger wire connector, female	20 pcs.	175.0003	
<b>Wear parts</b>	70	Gas diffusor, long life	10 pcs.	014.0026
		Gas diffusor, white	• 10 pcs.	014.0261
	80	Contact tip holder M6, 28.0 mm (short)	• 10 pcs.	142.0005
	81	Contact tip holder M6, 32.0 mm (long)	10 pcs.	142.0011
	82	Contact tip holder M8; 28.0 mm (short)	VE 10 Stck.	142.0020
	83	Contact tip holder M8; 32.0 mm (long)	VE 10 Stck.	142.0024
	90	Contact tip M6 E-Cu, Ø 0.8 <sup>3)</sup>	10 pcs.	140.0051
		Contact tip M6 E-Cu, Ø 1.0 <sup>3)</sup>	10 pcs.	140.0242
		Contact tip M6 E-Cu, Ø 1.2 <sup>3)</sup>	• 10 pcs.	140.0379
		Contact tip M6 CuCrZr, Ø 0.8 <sup>3)</sup>	10 pcs.	140.0054
		Contact tip M6 CuCrZr, Ø 1.0 <sup>3)</sup>	10 pcs.	140.0245
		Contact tip M6 CuCrZr, Ø 1.2 <sup>3)</sup>	10 pcs.	140.0382
		Contact tip M6 E-Cu, Ø 0.8 for alu wire <sup>3)</sup>	10 pcs.	141.0001
	Contact tip M6 E-Cu, Ø 1.0 for alu wire <sup>3)</sup>	10 pcs.	141.0006	

Build group	Pos.	Description	Specifications	Part no.
<b>Wear parts</b>	91	Contact tip M6 E-Cu; Ø 1.2 for alu wire <sup>3)</sup>	10 pcs.	141.0010
		Contact tip M8 E-Cu; Ø 0.8 <sup>3)</sup>	10 pcs.	140.0114
		Contact tip M8 E-Cu; Ø 1.0 <sup>3)</sup>	10 pcs.	140.0313
		Contact tip M8 E-Cu; Ø 1.2 <sup>3)</sup>	10 pcs.	140.0442
		Contact tip M8 CuCrZr; Ø 0.8 <sup>3)</sup>	10 pcs.	140.0117
		Contact tip M8 CuCrZr; Ø 1.0 <sup>3)</sup>	10 pcs.	140.0316
		Contact tip M8 CuCrZr; Ø 1.2 <sup>3)</sup>	10 pcs.	140.0445
		Contact tip M8 E-Cu; Ø 0.8 for alu wire	10 pcs.	141.0003
		Contact tip M8 E-Cu; Ø 1.0 for alu wire	10 pcs.	141.0008
		Contact tip M8 E-Cu; Ø 1.2 for alu wire <sup>3)</sup>	10 pcs.	141.0015
	104	Gas nozzle, cylindrical ND Ø 19.0	10 pcs.	145.0045
	105	Gas nozzle, conical ND Ø 16.0	• 10 pcs.	145.0078
	106	Gas nozzle, conical ND Ø 12.0	10 pcs.	145.0126
	108	Spot weld, gas nozzle ND Ø 20.0	10 pcs.	145.0172
	120	Guide spiral liner insulated 1.5/4.5 blue with nipple for wire <sup>1)</sup> Ø 0.6-0.8	for 3.00 m for 4.00 m for 5.00 m	124.0011 124.0012 124.0015
		Guide spiral liner insulated 2.0/4.5 red with nipple for wire <sup>1)</sup> Ø 1.0-1.2	• for 3.00 m • for 4.00 m • for 5.00 m	124.0026 124.0031 124.0035
	130	Teflon core liner 1.5/4.0 blue with collet and o-ring for wire <sup>2)</sup> Ø 0.6-1.0	for 3.00 m for 4.00 m for 5.00 m	126.0005 126.0008 126.0011
		Teflon core liner 2.0/4.0 red with collet and o-ring for wire <sup>2)</sup> Ø 1.0-1.2	for 3.00 m for 4.00 m for 5.00 m	126.0021 126.0026 126.0028
		Carbon Teflon core liner 1.5/4.0 with collet and o-ring for wire <sup>2)</sup> Ø 0.6-1.0	for 3.00 m for 4.00 m for 5.00 m	127.0002 127.0003 127.0004
		Carbon Teflon core liner 2.0/4.0 with collet and o-ring for wire <sup>2)</sup> Ø 1.0-1.2	for 3.00 m for 4.00 m for 5.00 m	127.0005 127.0007 127.0008
	131	Collet for core liner at Ø 4.0	20 pcs.	131.0001
	132	O-ring 3.5x1.5	20 pcs.	165.0008
	133	Guide tube for core liners up to Ø 4.0	200 mm	129.0461
	140	Combined wire guide cpl. PA/brass 2.0/4.0 for wire Ø 1.0-1.2	for 3.00 m for 4.00 m for 5.00 m	128.M002 128.M003 128.M004
	141	Brass spiral made up with sleeve	200 mm	001.0305
	200	Spanner	10 pcs.	191.0001

---

**Build group**

---

**Explanations**

---

**Pos. Description Specifications Part no.**

---

- <sup>1)</sup> Applicable for GMA welding of un-alloyed and low alloyed steels (DIN 8555 and 8559).
- <sup>2)</sup> Applicable for GMA welding of aluminium (DIN 1732), copper and copper alloys (DIN 1733) and nickel/nickel alloys (DIN 1736); Also for use with GMA welding of stainless and heat resistant steels (DIN 8556).
- <sup>3)</sup> As an alternative: Packing unit 50 pcs. Specification of order: 140.xxxx.50 or 141.xxxx.50.
- Standard - Equipment

The positions indicating "per meter" are available in commercial lengths.

---

Welding & cutting brought to the point.



Alexander Binzel Schweisstechnik GmbH & Co. KG  
P.O. Box 10 01 53 · D-35331 Giessen  
Tel.: ++49 (0) 64 08 / 59-0  
Fax: ++49 (0) 64 08 / 59-194  
Internet: [www.binzel-abicor.com](http://www.binzel-abicor.com)